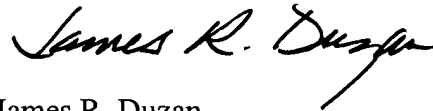



REMARKS

No new matter has been added. The Applicant again requests entry of the amendments as set forth in the Appendices hereto prior to examination of the application on the merits.

Respectfully submitted,



James R. Duzan
Registration No. 28,393
Attorney for Applicant
TRASKBRITT
P. O. Box 2550
Salt Lake City, Utah 84110-2550
Telephone: (801) 532-1922



Date: October 29, 2001

JRD/df/dp

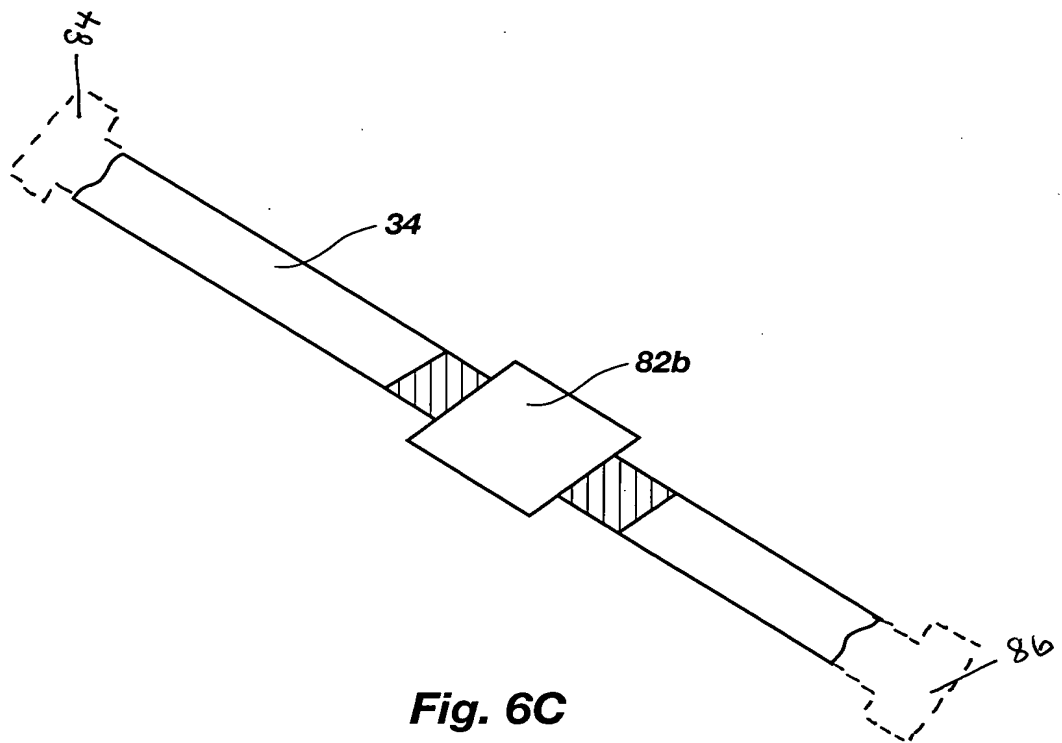


Fig. 6C

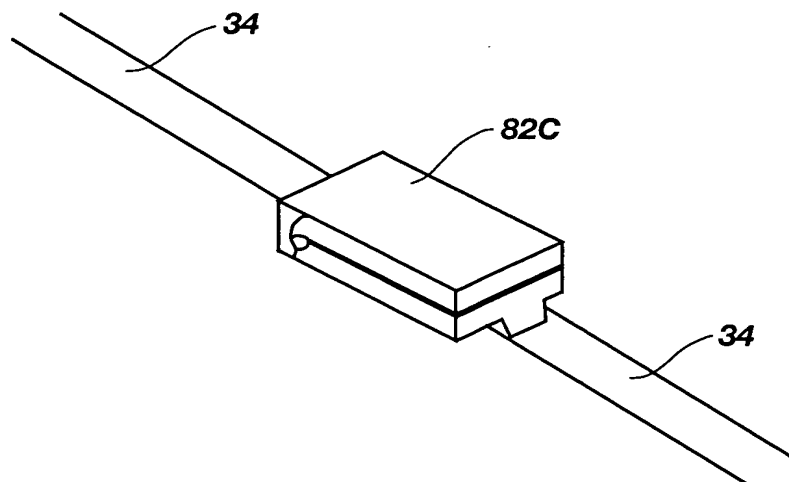


Fig. 6D

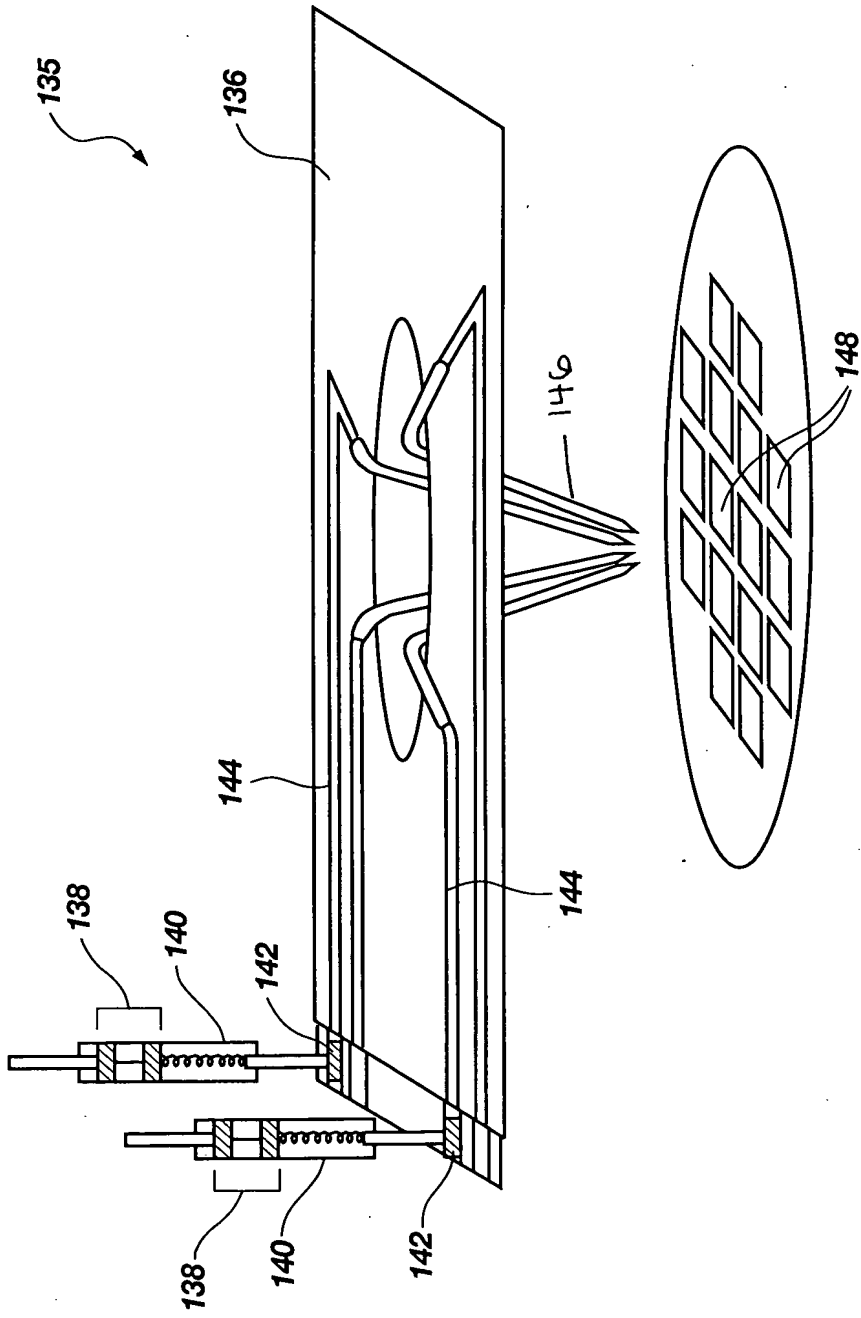


Fig. 8